



Proprietary 500-chip LED array

The **MAG 4K First Edition** is Fiilex's brightest individual lamphed to date. This 900W tunable white LED is designed as a functional replacement for 800W HMIs, boasting similar performance and significantly greater ease-of-use. The beam can be shaped with various accessories, including PAR reflectors (18°, 27°, and 60°), Leko attachments and softboxes. The MAG 4K's state-of-the-art light engine uses our proprietary Dense Matrix LED array for its brilliant compact source.

FEATURES

- Functional replacement for 800W HMI
- Tunable CCT (2800-6500K)
- High CRI at any color temperature, 95 typical.
- Flexible accessory attachments: PAR reflectors (18°, 27°, 60°), Source Four Leko adapter, Speed Ring, Barn Doors
- Smooth dimming down to 0%

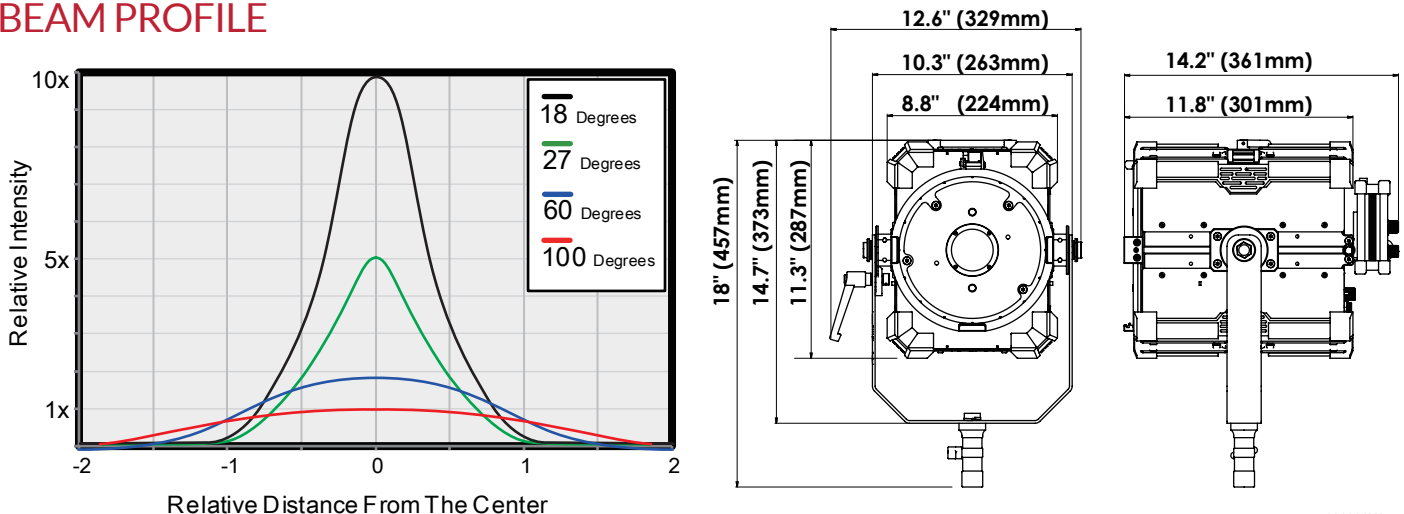
EXCELLENT COLOR RENDERING

CCT	R1	R2	R3	R4	R5	R6	R7	R8	R9	R10	R11	R12	R13	R14	R15	CRI _{Ra} *	CRI _{Ext} *	TLCI
3200K	99	98	92	98	97	97	98	98	94	91	96	83	99	94	98	97	95	91
5600K	98	99	98	96	97	98	97	97	94	96	96	93	99	98	98	98	97	96

Values in this table are typical.

*CRI_{Ra} is the averaged result of R1 to R8; CRI_{Ext} is the averaged value of R1 to R15.

BEAM PROFILE

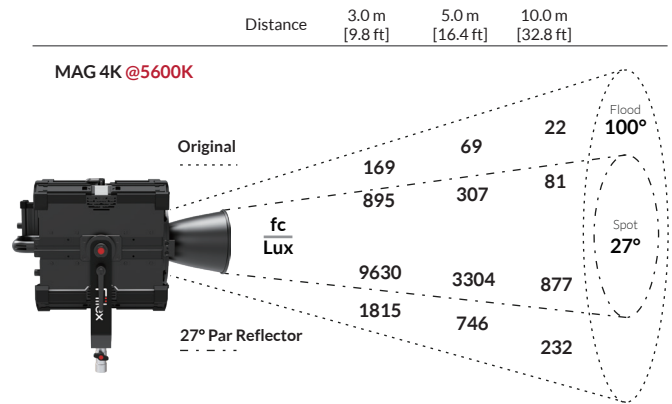
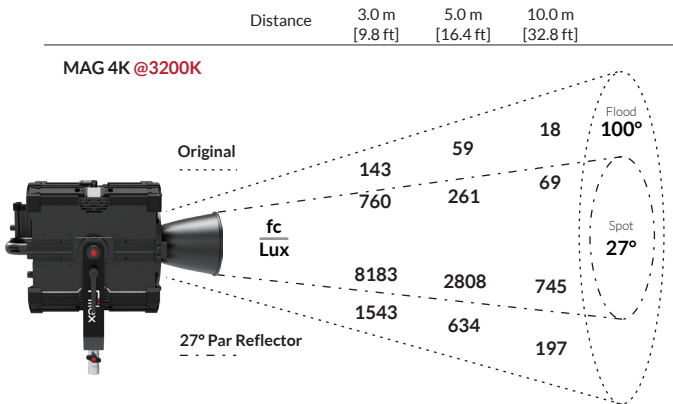


191203X3

SPECIFICATIONS

Beam Angle	100° Native - 18°, 27°, or 60° via reflector accessories
CCT Range	2800-6500K Continuous Tuning [upgradable to full color Spring 2020]
CRI	95 Typical
Dimming	100% - 0% Flicker Free
Light Engine	Dense Matrix LED
Power Draw	900W AC Max
AC Input	100 - 240V AC, 50-60Hz via PowerCON TRUE1
DMX	DMX512 (Two ports: DMX IN, OUT)
Weight	26.5lbs / 12kg
Size (L x W x H)	14.2" x 12.6" x 18" / 361mm x 329mm x 457mm
Mount Type	Baby Stud 5/8" Female (16mm) & Junior Stud 1-1/8" Male (28mm)
Thermal Design	Advanced Vapor Cooling System (Fan Cooled)
Operating Temperature	32-104°F / 0-40° C

PHOTOMETRIC DATA



OPTIONAL ACCESSORIES & KITS

