



# P360 Pro Plus

Portable LED Light

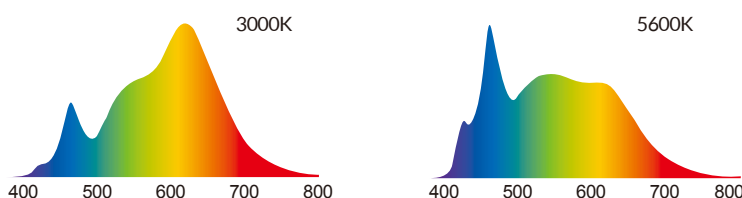


## FEATURES

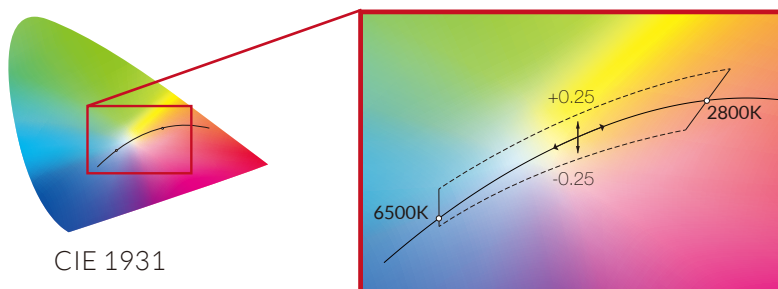
- 450W Equivalent Output (Tungsten) - Draws 90W
- 2800-6500K Continuous Tuning
- Full Spectrum Light Quality
- Dimming (100% - 0%)
- Flicker Free
- Point Source for Easy Beam Shaping
- Does Not Emit UV Light/Radiation
- DMX Controllable (3-channels: Intensity, CCT, Hue)
- IP-24 Water Resistant
- OLED display
- $\pm 0.25$  Green Hue adjustment
- Mechanical Mount with Magnetic Locking for Accessories



## FULL SPECTRUM



## TUNABLE CCT & HUE



## EXCELLENT COLOR RENDERING

CCT	R1	R2	R3	R4	R5	R6	R7	R8	R9	R10	R11	R12	R13	R14	R15	CRI <sub>Ra</sub> *	CRI <sub>Ext</sub> *	TLCI
3000K	97	99	93	98	98	98	99	97	96	96	97	86	98	94	97	97	96	97
5600K	98	99	99	96	96	97	96	97	97	99	97	84	98	99	96	97	97	98

Values in this table are typical.

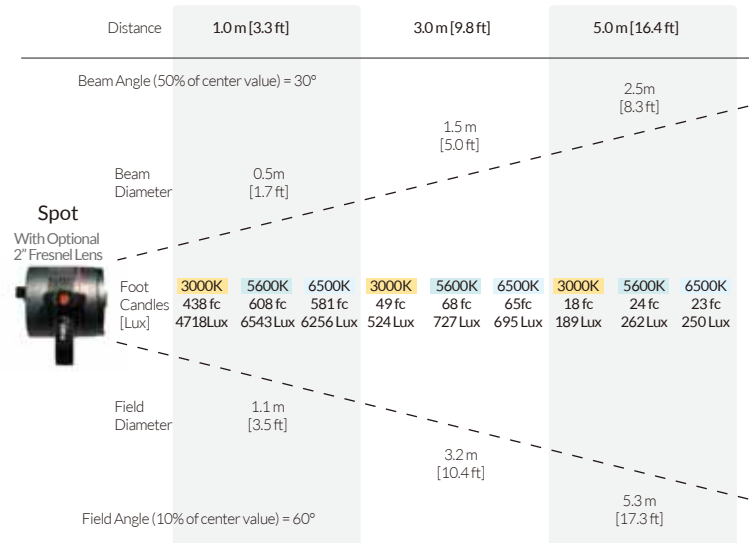
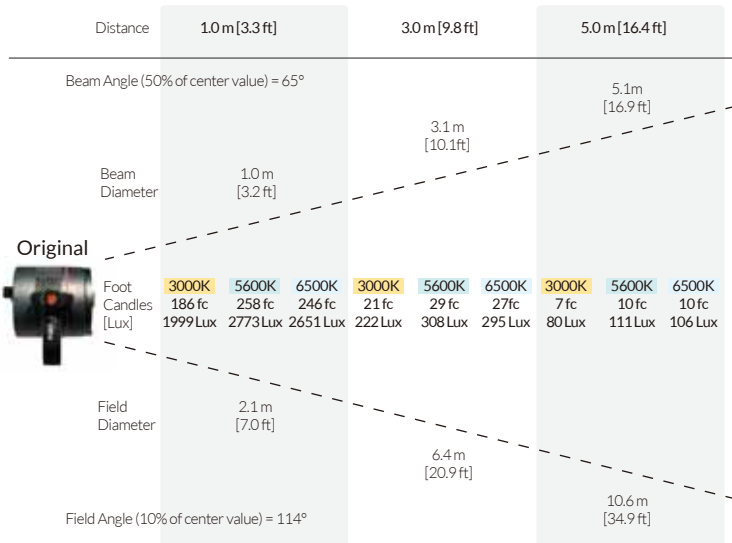
\*CRI<sub>Ra</sub> is the averaged result of R1 to R8; CRI<sub>Ext</sub> is the averaged value of R1 to R15.



# P360 Pro Plus

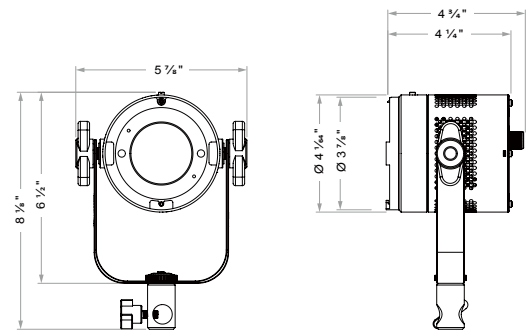
Portable LED Light

## PHOTOMETRIC DATA



## SPECIFICATIONS

Size (without Barndoor)	4" (Diameter) x 4.7" (Length)
Weight (Includes Yoke)	1.6 lbs / 0.74 kg
LED	Dense Matrix LED
Thermal Design	Active Cooling
CCT Range	2800-6500K Continuous Tuning
CRI	≥95
Power Consumption	90W Max / Comparable in Output to 400W Tungsten
Power Input	12 to 30 V DC
AC Adapter	100-240V AC, 50/60Hz (In) / 24V DC, 90W max. (Out)
Operating Temperature	32 to 104°F / 0 to 40 °C
DMX	3-channels: Intensity, CCT, Hue



## OPTIONAL ACCESSORIES & KITS

