

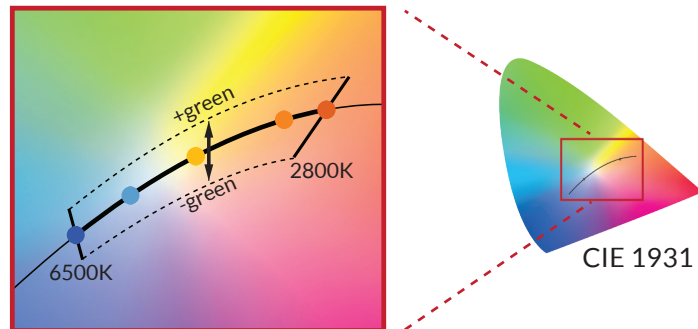
FEATURES

- 5" Zoom Fresnel lens with beam range of 12° - 35°
- DMX controllable (3-channels: intensity, CCT, hue)
- Dims to 0% without flicker or color shift
- 2800-6500K continuous CCT tuning
- High CRI values at every color temperature
- ±0.25 green adjustment
- Precise color calibration for consistent quality
- 300W tungsten output (85W draw)
- Less than 8" of clearance required
- Designed for use with standard pipe-clamps
- Lightweight (less than 4 lbs with AC power cable)
- Integrated power supply

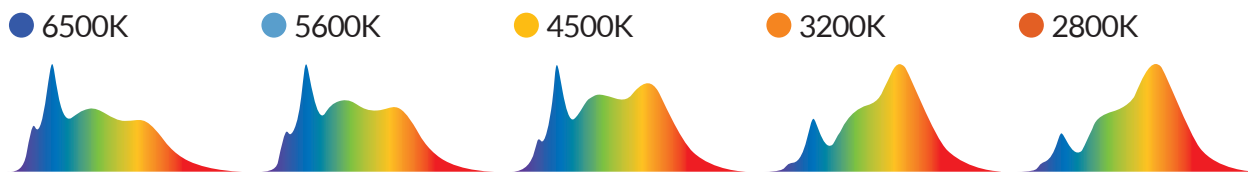


COMPREHENSIVE COLOR CALIBRATION

ensures cinema-caliber precision and light quality at all settings



MULTI-PHOSPHOR SPECTRUM for excellent color rendering



Industry-leading CRI scores on difficult color samples (R9, R12)

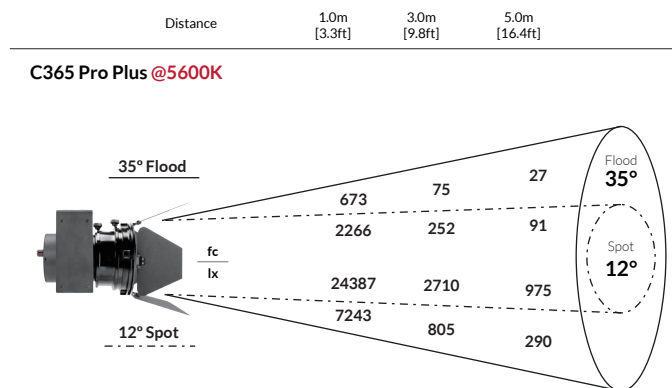
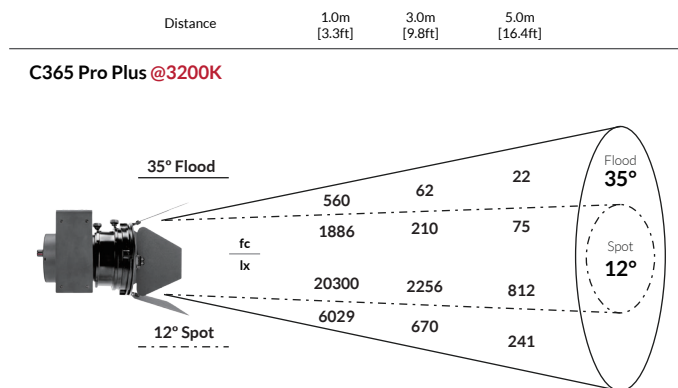
CCT	R1	R2	R3	R4	R5	R6	R7	R8	R9	R10	R11	R12	R13	R14	R15	CRI _{Ra} *	CRI _{Ext} *	TLCI
3200K	99	99	95	98	98	98	98	97	94	94	98	87	99	96	98	98	96	98
5600K	98	99	98	95	96	97	97	96	89	95	95	88	98	98	97	97	96	98
6500K	98	99	98	96	97	98	97	97	96	97	97	88	98	99	96	97	97	98

Typical values shown.

*CRI_{Ra} is the averaged result of R1 to R8; CRI_{Ext} is the averaged value of R1 to R15.

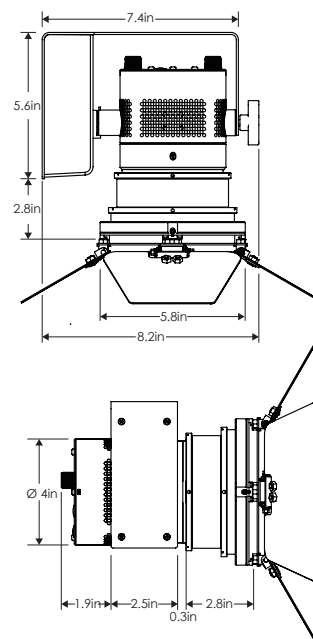
190925A

PHOTOMETRIC DATA



SPECIFICATIONS

Fresnel Size	5" Zoom Lens
Beam Angle	12° - 35°
CCT Range	2800 - 6500K Continuous Tuning
CRI	97 Typical
Hue	±0.25 Green
Dimming	100% - 0% Flicker Free
Light Engine	Dense Matrix LED
Power Draw	85W Max
AC Input	120V AC, 60Hz
DMX Control	3-CH (Intensity, CCT, Hue) via RJ45 Ports
Display Type	OLED
Weight	4.4lbs / 2.0kg (With AC Cable)
Size (L x W x H)	8.2in x 7.5in x 6.4in / 20.8cm x 19.1cm x 16.3cm
Mounting Hole Diameter	0.5in
AC Cable Length	US: 10ft / 3m, International: 4.5ft / 1.4m
Thermal Design	Advanced Vapor Cooling System (Fan Cooled)
Acoustic Noise	22.7dB (Professional Recording Studio Level)
Operating Temperature	32° - 104° F / 0° - 40° C



OPTIONAL ACCESSORIES



5" Gel Holder
TRA008