

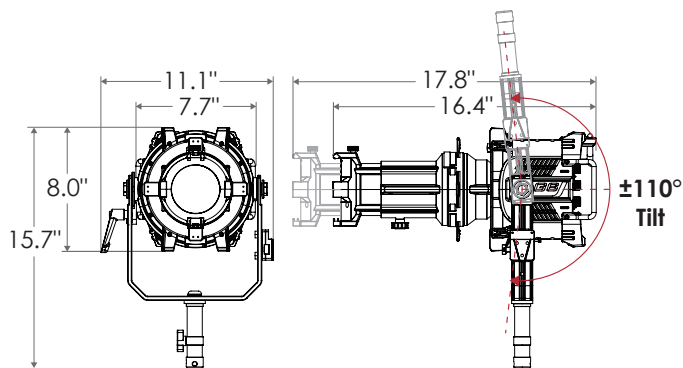
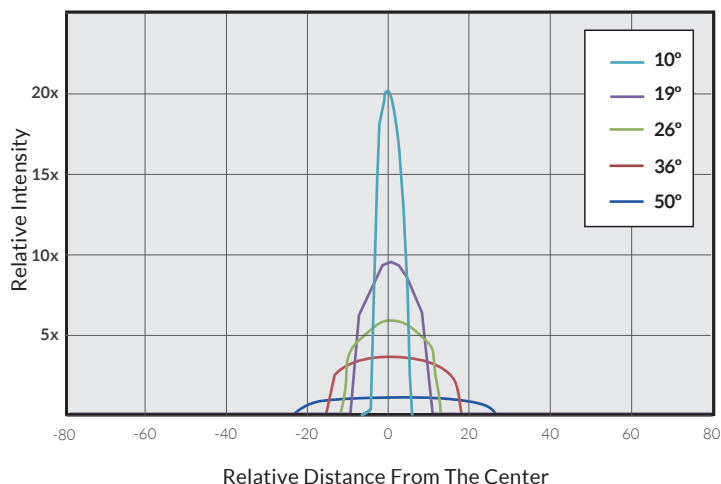
The **G6 COLOR** is a cinema-grade 175W full-color ellipsoidal with razor-sharp cuts and a unique 360 degree rotating barrel. The beam produced from either the 10°, 19°, 26°, 36° or 50° lens tube is uniform and bright without any color fringing. At the core of the G6 is the latest generation of Fiilex's patented Dense Matrix LED that adheres to the highest standards of dimming and color calibration. The G6 ellipsoidal gives you full control and can be rigged and hidden anywhere on production sets.



## FEATURES

- High-CRI white light output (2000-10000K)
- 8 and 16-bit color modes: CCTRGBW, CCTHSI, CIExy, etc.
- IP-X5 Rating (water resistant)
- Easy PSU / battery mounting on yoke
- Razor-sharp cuts and rotating barrel
- Wireless control via integrated LumenRadio
- Hardline DMX via XLR-5 adapter
- Smooth and Sharp dimming modes
- DMX-controllable fan modes: Full, Auto, Silent, Off
- Compact and easy to hide

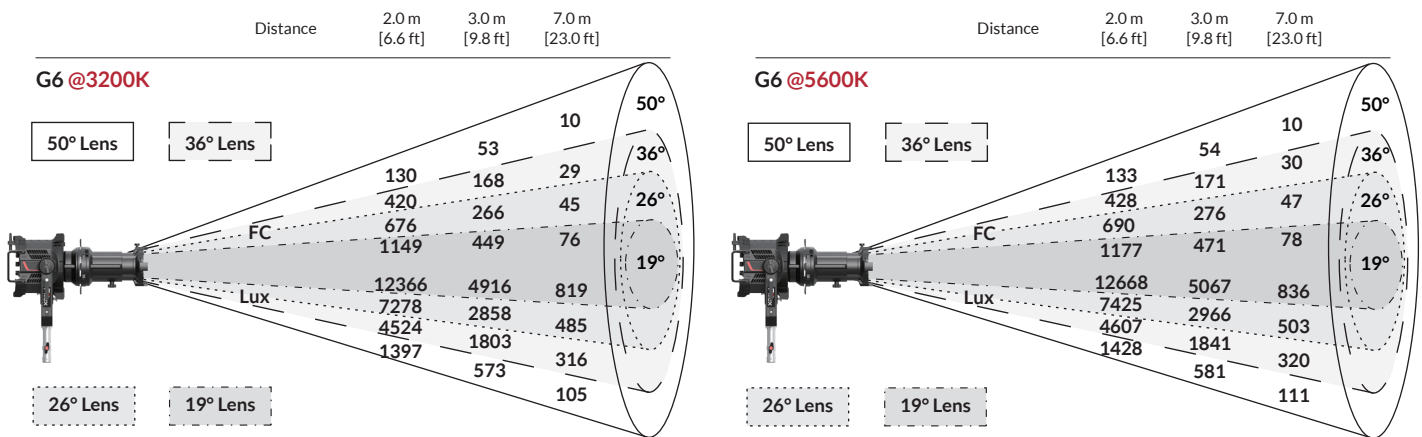
## BEAM PROFILE



## SPECIFICATIONS

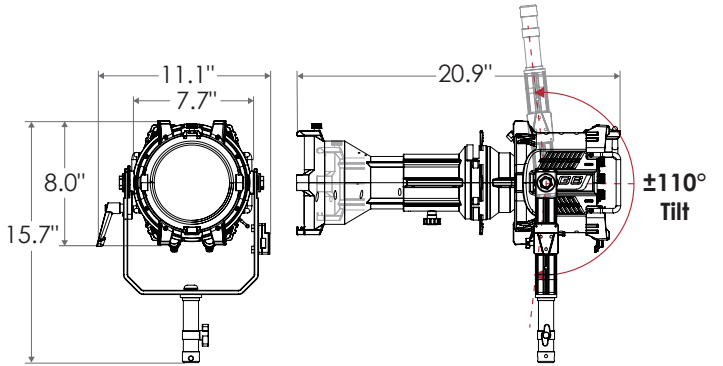
Beam Angle	10° / 19° / 26° / 36° / 50° lens tube
CCT Range	2000-10000K continuous tuning + magenta/green shift
CRI / TLCI	95 / 90 typical
Control Modes	CCT, HSI, RGBW, GEL, CCTRGBW, CCTHSI, CIExy, ICTHS, and more
Dimming	100% - 0% flicker free
Dimming Modes / Curve	Smooth, Sharp / Linear, Gamma
Light Engine	DiCon Dense Matrix LED
Power Consumption	175W max AC   160W max DC
BTUs/hour	596 (BTUs/hour) max
DC Input	24 - 48V DC (via XLR-3 Port)
AC Input	100 - 240V AC, 50 ~ 60Hz
DMX/RDM Port	XLR-5 in and out
Wireless Control	Integrated LumenRadio CRMX TimoTwo
USB Power Output	5V/1A (via USB-A)
Weight with 19°/26°/36°/50° lens tube	Fixture: 11.0 lbs / 5.0 kg   Power adapter: 3.3 lbs / 1.5 kg
Weight with 10° lens tube	Fixture: 14.3 lbs / 6.5 kg   Power adapter: 3.3 lbs / 1.5 kg
Size (L x W x H) 19°/26°/36°/50° lens tube	16.4" x 11.1" x 15.7" / 41.7cm x 28.4cm x 39.9cm
Size (L x W x H) 10° lens tube	20.9" x 11.1" x 15.7" / 53.1cm x 28.4cm x 39.9cm
Mount Type	Combo (baby stud female / junior stud male)
IP Rating	IP-X5 (water-resistant)
Thermal Design	Controllable fan (OFF / SILENT / AUTO / FULL)
Operating Temperature	0 - 40°C / 32 - 104°F
GoBo Size	M S size (Diameter 66mm / Max Image: 48mm / Max Thickness: 1mm)
Approved Regulatory Standards	cETLus, FCC, CE, UKCA, RoHS, WEEE

## PHOTOMETRIC DATA



## OPTIONAL ACCESSORIES





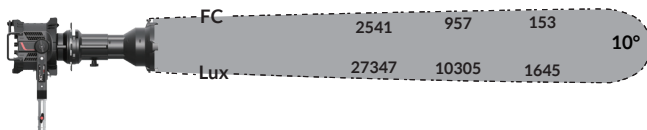
\*For the 10° Leko lens, refer to page 1 for the beam profile.  
 \*Dimensions and weight are listed in the specifications on page 2.

**PHOTOMETRIC DATA**

Distance	2.0 m [6.6 ft]	3.0 m [9.8 ft]	7.0 m [23.0 ft]
----------	-------------------	-------------------	--------------------

**G6 @3200K**

10° Lens



Distance	2.0 m [6.6 ft]	3.0 m [9.8 ft]	7.0 m [23.0 ft]
----------	-------------------	-------------------	--------------------

**G6 @5600K**

10° Lens

