

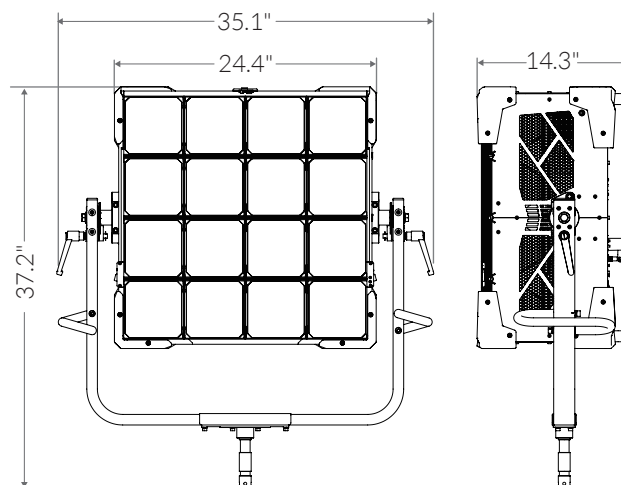
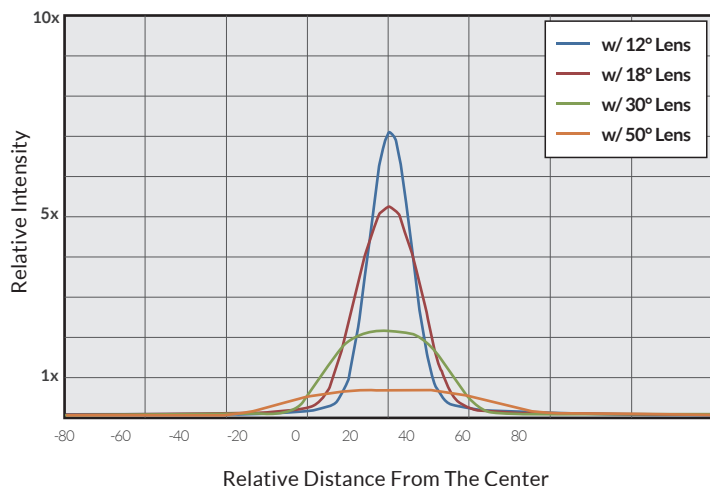
The **K40 COLOR** is a super-bright punch light that emits 3600W of LED illumination. This fixture uses the latest iteration of Fiilex's Dense Matrix LED technology to deliver color quality and optical versatility that are superior to previous generations of LED punch lights. Individually swappable lenses and pixel control allow for incredibly high levels of customization and control over the light output. With its smooth dimming from 0-100%, no flicker, high CRI, and CRMX wireless built-in, the K40 COLOR excels in any production setting and can be used on a floor stand, rigged into a grid, or hung from a Condor.



FEATURES

- Interchangeable pixel lenses (12°/18°/30°/50°)
- High-CRI white light output (2000-10000K)
- 8 and 16-bit color modes: CCTRGBW, CCTHSI, CIE_{xy}, etc.
- Removable diffusion / honeycomb accessories
- Compactable lightweight- 107lbs
- Smooth and Sharp dimming modes
- DMX-controllable fan modes: OFF / SILENT / AUTO / FULL
- IP-25 Rating (water resistant)

BEAM PROFILE

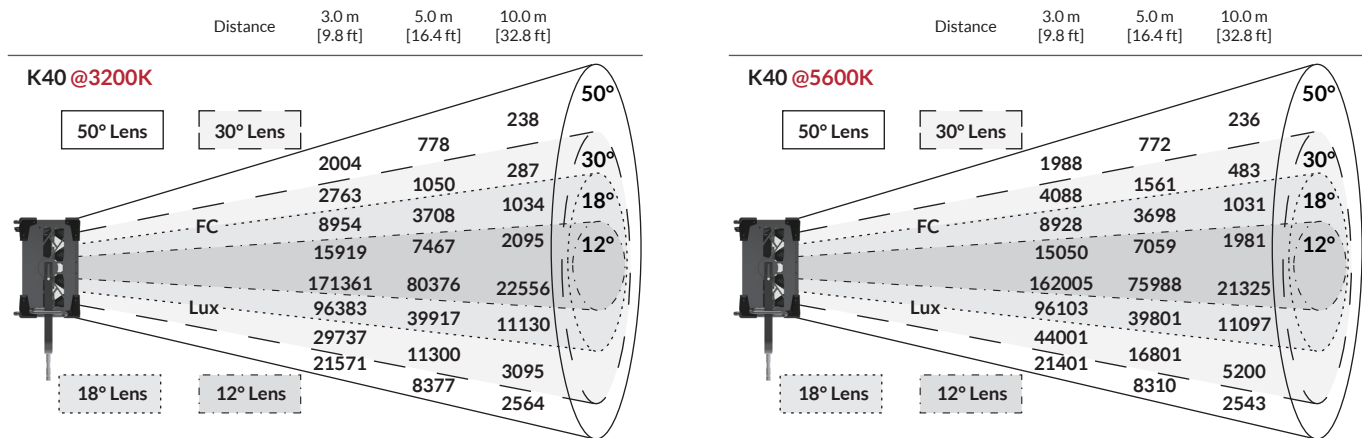


070325A

SPECIFICATIONS

Beam Angle	12° with lens (18°/30°/50° with optional lens accessories)
CCT Range	2000-10000K continuous tuning + magenta/green shift
CRI / TLCI	95 / 90 typical
Control Modes	CCT, HSI, RGBW, GEL, CCTRGBW, CCTHSI, CIExy, ICTHS, and more
Dimming	100 - 0% flicker free
Dimming Modes / Curve	Smooth, Sharp / Linear, Gamma
Light Engine	DiCon Dense Matrix LED
Power Consumption	Single AC Input 1500W/Dual AC Input 3600W
BTUs/hour	12283 (BTUs/hour) max
AC Input	100 - 240V AC, 18A Max Each
DMX/RDM Port	XLR-5
Wireless Control	Integrated LumenRadio CRMX TimoTwo
Ethernet	sACN, ArtNet (via etherCON)
USB Power Output	5V/1A (via USB-A)
USB-C Interface	FW Update / Remote
Weight	107lbs/48.5kg (With Yoke)
Size (L x W x H)	35.1" x 37.2" x 14.3" / 89.2cm x 94.6cm x 36.2cm (With Yoke) 24.4" x 24.4" x 14.3" / 62.0cm x 62.0cm x 36.2cm (Light Head Only)
Mount Type	Combo (baby stud female / junior stud male) / Dual Truss Clamp Optional
IP Rating	IP-25 (water-resistant)
Thermal Design	Controllable fan (OFF / SILENT / AUTO / FULL)
Operating Temperature	32 - 104°F / 0 - 40°C
Approved Regulatory Standards	FCC, CE, UKCA, RoHS, WEEE

PHOTOMETRIC DATA



OPTIONAL ACCESSORIES



RPU
FLXRPU



K40 Light Diffusion
FLXK40CLR-LIGHTDIFF



K40 Honeycomb
FLXK40CLR-HONEYCOMB



12° Lens
(Pack of 16)
FLXK40CLR-FRNL12



18° Lens
(Pack of 16)
FLXK40CLR-FRNL18



30° Lens
(Pack of 16)
FLXK40CLR-FRNL30



50° Lens
(Pack of 16)
FLXK40CLR-FRNL50