

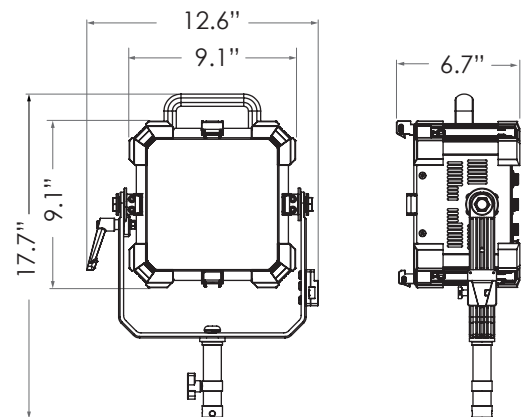
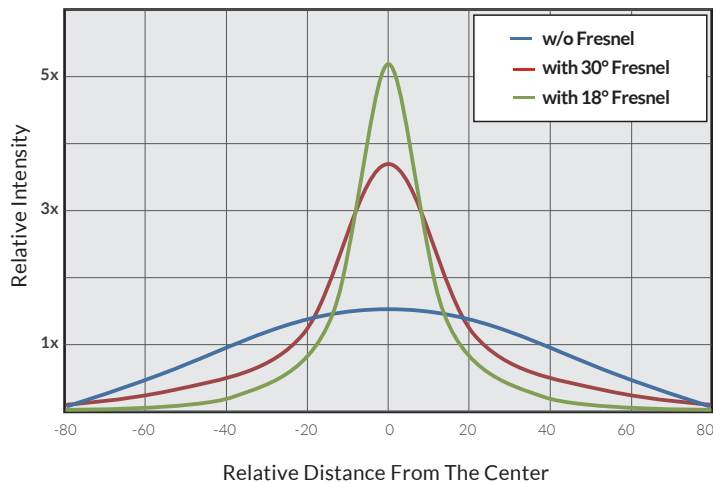
The **Matrix COLOR** is a 320W LED fixture that combines high-fidelity soft-source illumination with a focusable, fresnel-like forward punch. This optical versatility is made possible by Fiilex's custom Dense Matrix LED technology, which also features smooth dimming to 0%, no flicker, and very high CRI. Two snap-on fresnel accessories are available to narrow the Matrix COLOR's standard 100° spread down to 30° or 18°.



FEATURES

- High-CRI white light output (2000-10000K)
- 8 and 16-bit color modes: CCTRGBW, CCTHSI, CIExy, etc.
- IP-X5 Rating (water resistant)
- Lightweight (only 9.9lbs)
- Accessories available for multiple lighting styles
- Smooth and Sharp dimming modes
- DMX-controllable fan modes: Full, Variable, Silent, Off

BEAM PROFILE

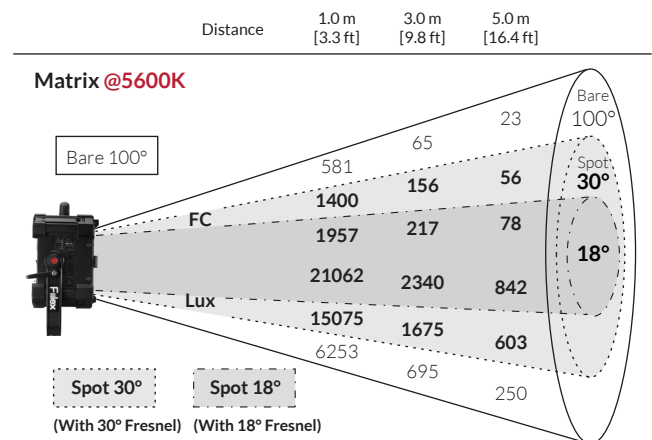
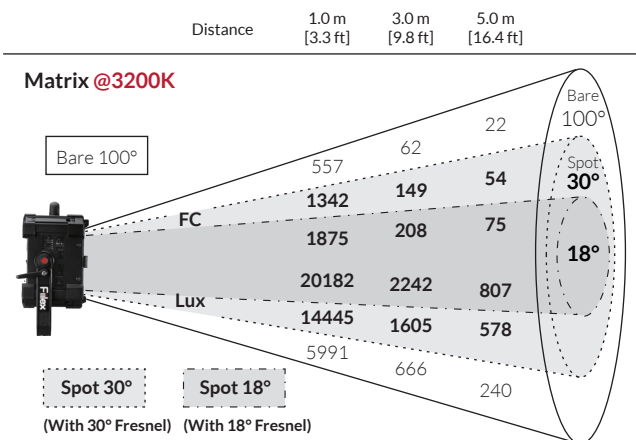


070325A

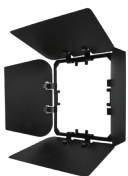
SPECIFICATIONS

Beam Angle	100° (30° or 18° with fresnel accessories)
CCT Range	2000-10000K continuous tuning + magenta/green shift
CRI / TLCI	95 / 90 typical
Control Modes	CCT, HSI, RGBW, GEL, CCTRGBW, CCTHSI, CIExy, ICTHS, PXL4, and more
Dimming	100% - 0% flicker free
Dimming Modes	Smooth, Sharp
Light Engine	DiCon Dense Matrix LED
Power Consumption	320W max AC 300W max DC
BTUs/hour	1091 (BTUs/hour) max
DC Input	48V DC (via XLR-3)
AC Input	100 - 240V AC, 50 ~ 60Hz (via powerCON TRUE1)
DMX/RDM Port	XLR-5
Ethernet	sACN, ArtNet (via RJ45)
USB Power Output	5V/1A (via USB-A)
Weight	Fixture: 9.9 lbs / 4.5kg (includes yoke) Power adapter: 6.4 lbs/2.9 kg
Size (L x W x H)	6.7" x 12.6" x 17.7" / 17.1cm x 32.1cm x 45.0cm
Mount Type	Combo (baby stud female / junior stud male)
IP Rating	IP-X5 (water-resistant)
Thermal Design	Advanced vapor cooling system (fan cooled)
Operating Temperature	32 - 104°F / 0 - 40°C
Approved Regulatory Standards	cETLus, FCC, CE, UKCA, RoHS, WEEE

PHOTOMETRIC DATA



OPTIONAL ACCESSORIES



Matrix Barndoor



Matrix Fresnel Lens, 30°



Matrix Fresnel Lens, 18°



Matrix Speed Ring



OCTA4 Softbox