



The **P360S** is a compact 90W LED with tunable CCT, magenta/green adjustment, and flicker-free dimming down to 0%. This water-resistant fixture is extremely portable, weighing less than 2lbs, and is available in travel-friendly three-light kits.

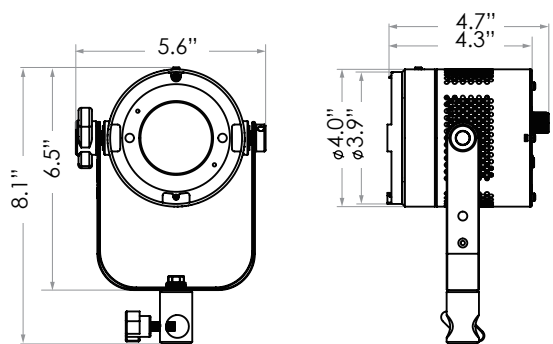
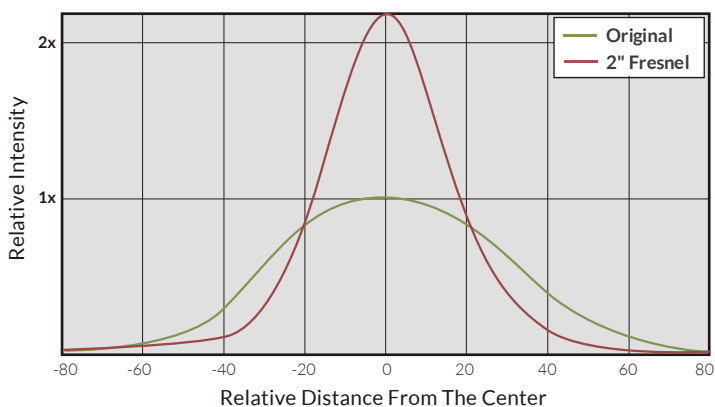
For users looking to get the most out of the P360S, Fiilex offers a wide array of accessories, including fresnel and diffuser attachments as well as softboxes. D-Tap cables allow the lights to be connected to battery power (12-30V).



## FEATURES

- 2800-6500K tunable CCT
- 300W tungsten output (90W draw)
- High CRI values at every color temperature
- ±0.25 magenta/green adjustment
- Dims to 0% without flicker or color shift
- Precise color calibration for consistent quality
- OLED display for monitoring settings
- DMX controllable (3-channels: intensity, CCT, hue)
- Water resistant (IP-X4)
- Weighs less than 2 lbs
- Supports 12-30V battery input with D-Tap accessory
- Available in portable three-light kits

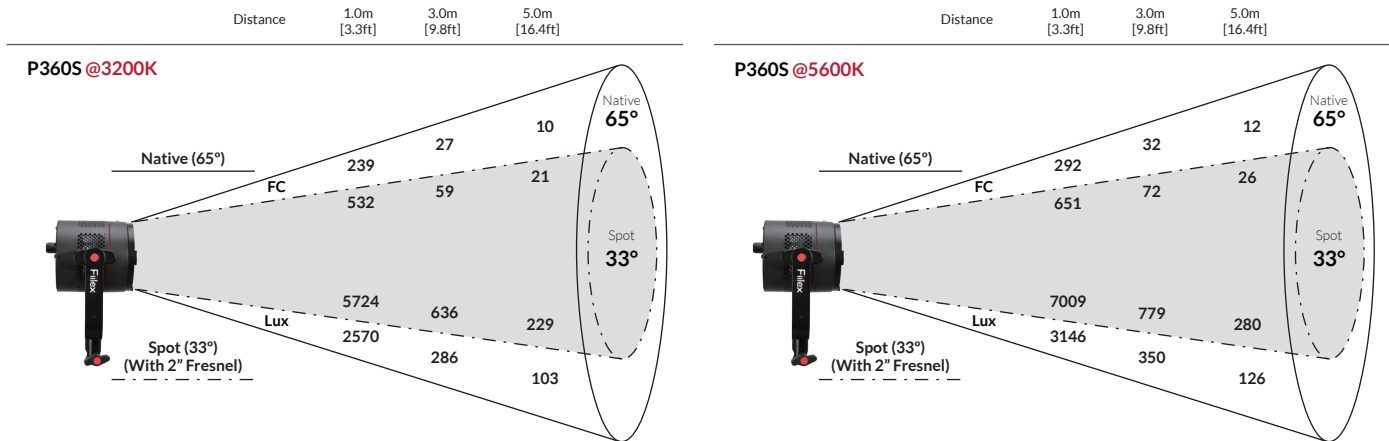
## BEAM PROFILE



### SPECIFICATIONS

Beam Angle	65° (33° with 2" Fresnel, 20° with 3" Fresnel)
CCT Range	2800 - 6500K
CRI	95 Typical
TLCI	90 Typical
Hue	±0.25 Green/Magenta
Dimming	100% - 0% Flicker Free
Light Engine	Dense Matrix LED
Power Draw	90W Max
DC Input	12 - 30V DC (80W DC Max)
AC Input	100 - 240V AC, 50 ~ 60Hz
DMX Control	3-CH (Intensity, CCT, Hue) via TRRS Ports
Display Type	OLED
Weight	1.85lbs / 0.84kg
Size (L x W x H)	4.7" x 5.6" x 8.1" / 11.9cm x 14.2cm x 20.6cm
Mount	Baby Stud 5/8" Female (16mm)
IP Rating	IP-X4 (Water Resistant)
Thermal Design	Advanced Vapor Cooling System (Fan Cooled)
Operating Temperature	32 - 104°F / 0 - 40°C

### PHOTOMETRIC DATA



### OPTIONAL ACCESSORIES & KITS

