

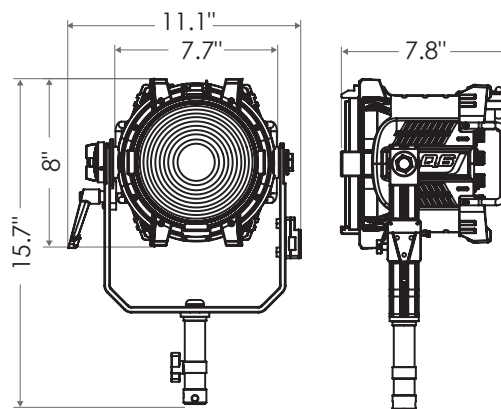
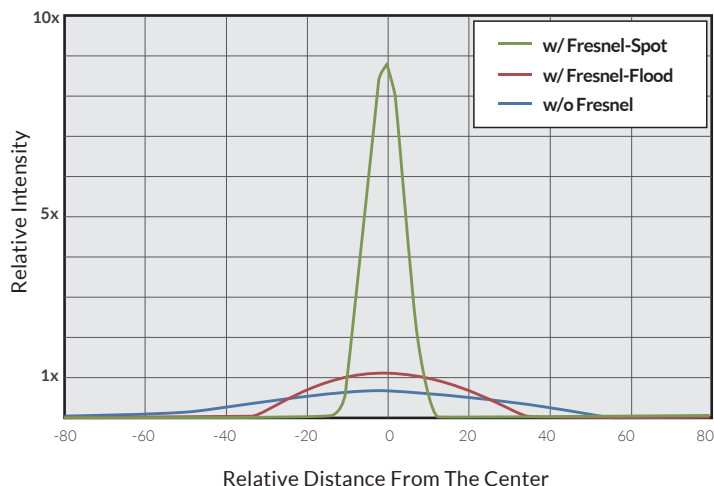
The **Q6 COLOR** is a 175W 6" LED Fresnel that generates high-quality full-color light output. This fixture uses the latest iteration of Fiilex's Dense Matrix LED technology to deliver color quality and optical versatility that are superior to previous generations of LED fresnels. With its wide spot/ flood range, smooth dimming to 0%, no flicker, high CRI, and compatible with CRMX wireless application, the Q6 COLOR combines the extensive feature set of top-tier full color LEDs with the performance of a tungsten fresnel.



FEATURES

- High-CRI white light output (2000-10000K)
- 8 and 16-bit color modes: CCTRGBW, CCTHSI, CIExy, etc.
- 11°-47° spot/flood range with no optical aberrations
- V-mount power supply swaps easily with 26V batteries
- Removable fresnel for wider throw / softbox compatibility
- Extremely lightweight- 8.4lbs
- Smooth and Sharp dimming modes
- DMX-controllable fan modes: Full, Variable, Silent, Off
- IP-X5 Rating (water resistant)
- 8-leaf barndoors cuts clean with no color splitting

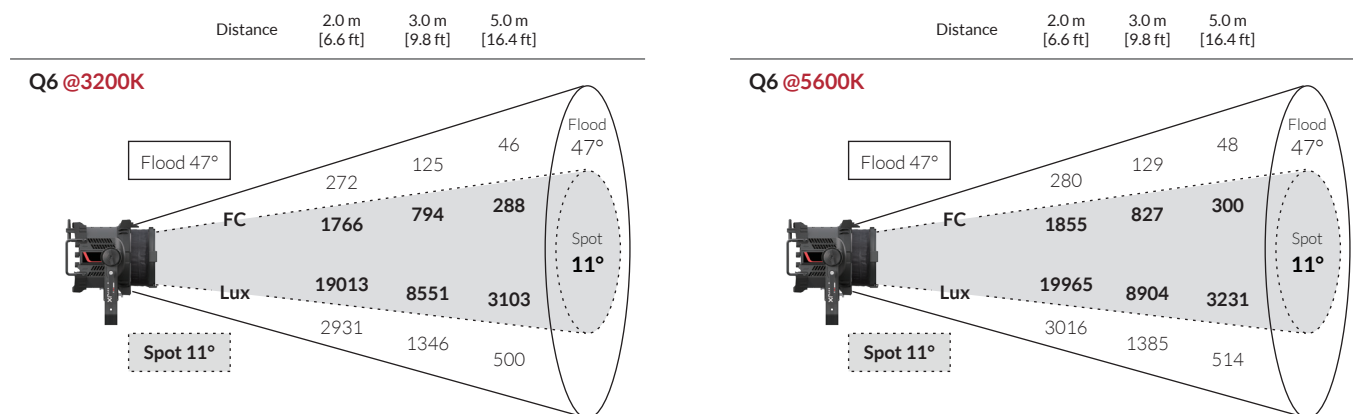
BEAM PROFILE



SPECIFICATIONS

Fresnel Diameter	6"
Beam Angle	11°-47° with fresnel (66° without fresnel)
CCT Range	2000-10000K continuous tuning + magenta/green shift
CRI / TLCI	95 / 90 typical
Control Modes	CCT, HSI, RGBW, GEL, CCTRGBW, CCTHSI, CIExy, ICTHS, and more
Dimming	100 - 0% flicker free
Dimming Modes / Curve	Smooth, Sharp / Linear, Gamma
Light Engine	DiCon Dense Matrix LED
Power Consumption	175W max AC 160W max DC
BTUs/hour	596 (BTUs/hour) max
DC Input	24-48V DC (via XLR-3)
AC Input	100 - 240V AC, 50~60Hz
DMX/RDM Port	XLR-5
Wireless Control	Integrated LumenRadio CRMX TimoTwo
USB Power Output	5V/1A (via USB-A)
USB-C Interface	FW Update / Remote
Weight	Fixture: 8.4lbs / 3.8kg Power adapter: 3.2lbs / 1.45kg
Size (L x W x H)	7.8" x 11.1" x 15.7" / 19.7cm x 28.3cm x 39.7cm
Mount Type	Combo (baby stud female / junior stud male)
IP Rating	IP-X5 (water-resistant)
Thermal Design	Controllable fan (OFF / SILENT / AUTO / FULL)
Operating Temperature	32 - 104°F / 0 - 40°C
Approved Regulatory Standards	cETLus, FCC, CE, UKCA, RoHS, WEEE

PHOTOMETRIC DATA



OPTIONAL ACCESSORIES



RPU
FLXRPUR



Flexible Energy Source 270
FLXFES-270



DC Jumper Cable, 6 ft
FLXQ6CLR-PSU-DCJ6-XLR3XLR3



V-Mount with 5/8 inch Baby Pin Receiver
FLXQ6CLR-PSU-VMOUNT-BABY