

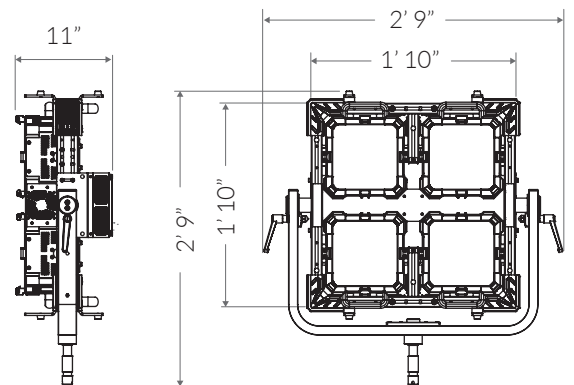
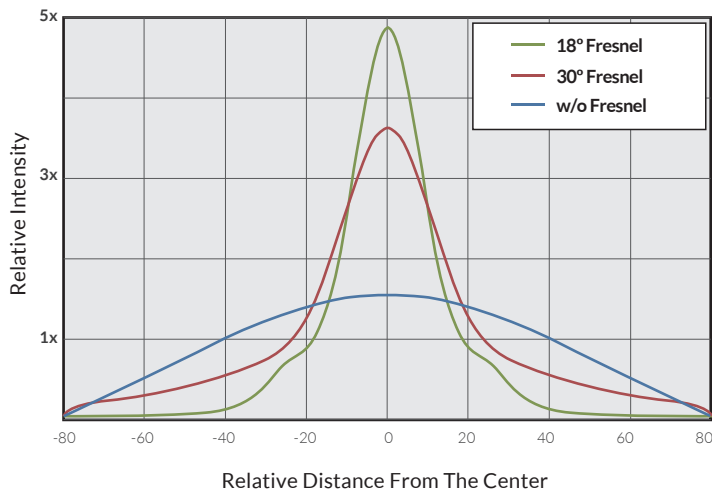
The **QUAD COLOR** is a super-bright punch light that emits 1360W of LED illumination. Powerful yet compact, the QUAD COLOR combines four Matrix fixtures in one ruggedized frame weighing a total of 75lbs (34kg) and standing less than one meter high. This streamlined fixture includes an integrated power supply, cabling, and controls (in addition to XLR-5 DMX in/out) for easy rigging and settings adjustment. With this comprehensive design, the QUAD COLOR excels in any production setting, whether it's set on a floor stand or suspended from a studio lighting grid.



## FEATURES

- ~5000W tungsten output (1360W draw)
- High-CRI white light output (2000-10000K)
- 8 and 16-bit color modes: CCTRGBW, CCTHSI, CIExy, etc.
- Optional lensing accessories for increased light intensity
- Integrated cable management & power supply
- Smooth and Sharp dimming modes
- DMX-controllable fan modes: Full, Variable, Silent, Off
- IP-X5 Rating (water resistant)

## BEAM PROFILE

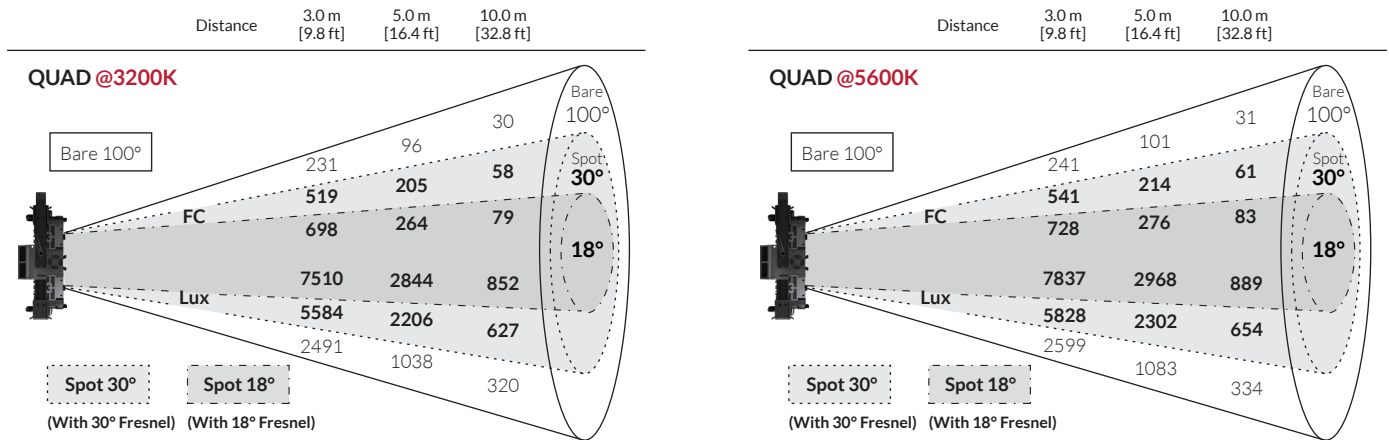


070925A

## SPECIFICATIONS

|                               |  |
|-------------------------------|--|
| Beam Angle                    | 100° (30° or 18° with fresnel accessories)                   |
| CCT Range                     | 2000-10000K continuous tuning + magenta/green shift          |
| CRI / TLCI                    | 95 / 90 typical  |
| Control Modes                 | CCT, HSI, RGBW, GEL, CCTRGBW, CCTHSI, CIExy, ICTHS, and more |
| Dimming                       | 100 - 0% flicker free  |
| Dimming Modes                 | Smooth, Sharp  |
| Light Engine                  | DiCon Dense Matrix LED                                       |
| Power Consumption             | 1360W max AC   |
| BTUs/hour                     | 4436 (BTUs/hour) max   |
| AC Input                      | 100 - 240V AC, 50~60Hz (via powerCON TRUE1)                  |
| DMX/RDM Interface             | XLR-5 & attached Fiilex DMX controller                       |
| Wireless Control              | Integrated LumenRadio CRMX TimoTwo                           |
| Ethernet                      | sACN, ArtNet (via RJ45)                                      |
| USB Power Output              | 5V/1A (via USB-A)  |
| Weight                        | 75lbs / 34kg   |
| Size (L x W x H)              | 2' 9" x 11" x 2' 9" / 84cm x 27cm x 82cm                     |
| Mount Type                    | Junior stud 1-1/8" male (28mm)                               |
| IP Rating                     | IP-X5 (water-resistant)                                      |
| Thermal Design                | Advanced cooling system (fan cooled)                         |
| Operating Temperature         | 32 - 104°F / 0 - 40°C  |
| Approved Regulatory Standards | FCC, RoHS, WEEE  |

## PHOTOMETRIC DATA



## OPTIONAL ACCESSORIES



RPU  
FLXRPUR



Matrix Fresnel Lens, 30°  
FLXMXCLR-FRNL30



Matrix Fresnel Lens, 18°  
FLXMXCLR-FRNL18