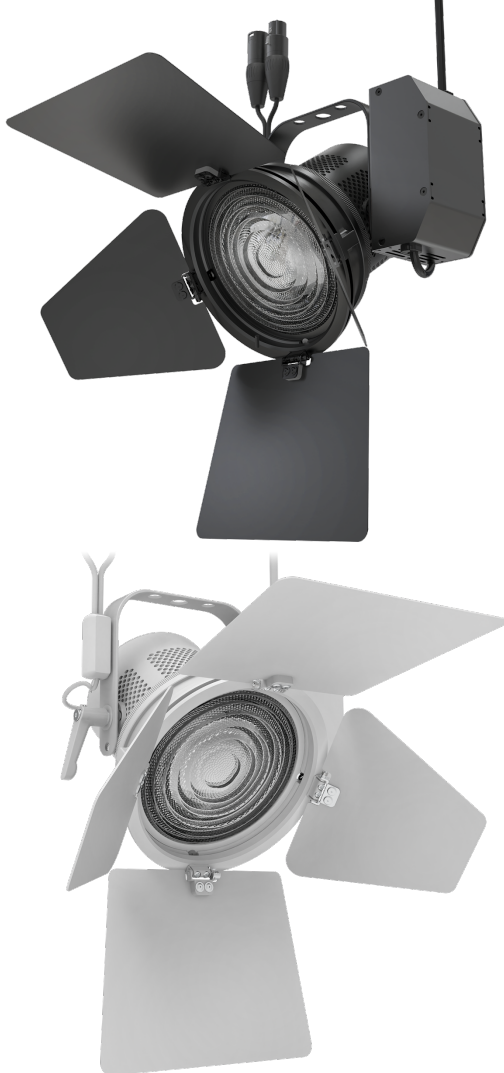


P3F Fresnel Light (Clamp)

90W LED/ 15°- 45°



ORDERING GUIDE

FLXP3F - - - **CLP** - **PSV** -

Mode

CLR	All Modes
EZ	All EZ Modes
RGB	RGB Mode Only
CCT	Tunable CCT Mode Only
3200	Fixed 3200K
5600	Fixed 5600K

Finish

WH	White
BK	Black

Mount

CLP	Clamp Mount
------------	-------------

Power Supply

PSV	Power Supply
------------	--------------

Plug/Connection

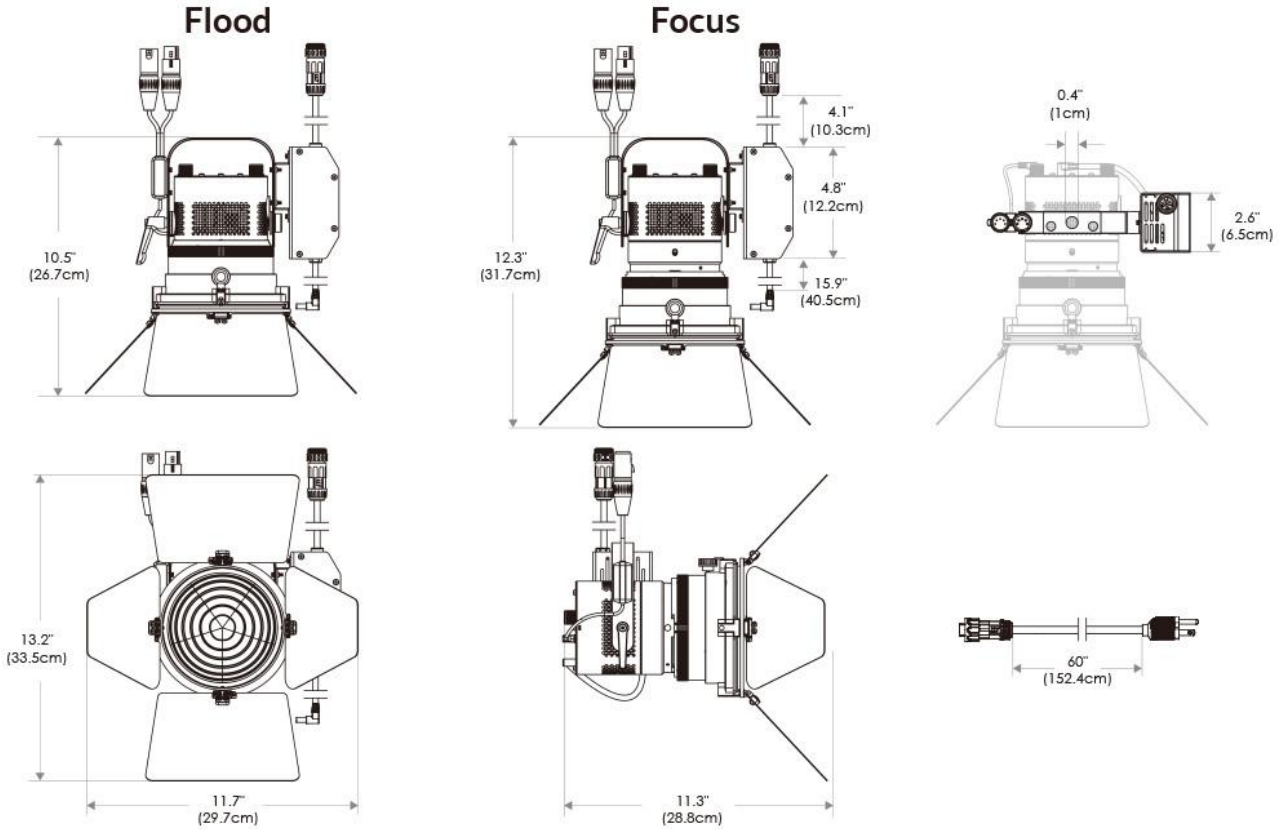
US	US 120V
EU	EU 220V

SPECIFICATIONS

Beam Angle	15°- 45°
CRI / TLCI	95/90 typical
Dimming	100% - 0% flicker free
AC Power Draw	90W max
AC Input	100 - 240V AC, 50 - 60Hz
Control	Manual, DMX512
Cooling	Fan Cooled
Acoustic Noise	19 dBA (Auto Mode)
Operating Temp.	32 - 104°F (0 - 40°C)
Weight (Fixture + Power Supply)	4.4lb / 2.0kg
Approved Regulatory Standards	cETLus, FCC, CE, UKCA, RoHS, WEEE

- Cine-Grade Light Quality
- Point-Source LED
- DMX Controllable
- 90W Power Draw
- Compact (< 8" of Vertical Space)

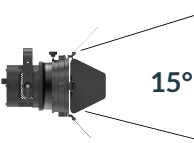
MECHANICAL FIGURES



*PSV & PST configuration models come with standard DC cables of 16" and AC cables of 5'.

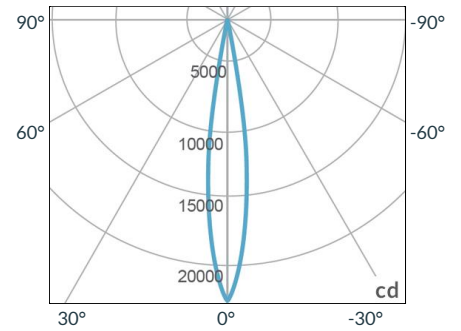
PHOTOMETRIC DATA

Focus

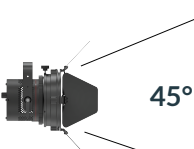


Distance		3' (~0.9 m)	10' (~3.0 m)	15' (~4.6 m)
@3200K	fc	2604	241	117
	lux	28027	2591	1257
@5600K	fc	2690	249	121
	lux	28960	2678	1299
Beam Diameter		Ø 0.8' (~0.2m)	Ø 2.6' (~0.8m)	Ø 4.1' (~1.2m)

Beam Angle : 15°

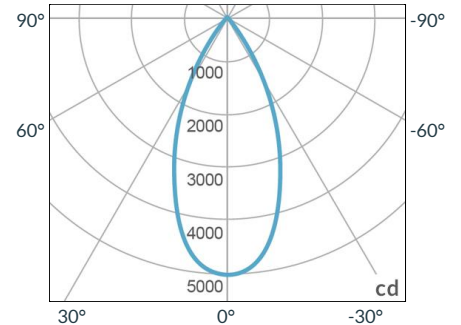


Flood



Distance		3' (~0.9 m)	10' (~3.0 m)	15' (~4.6 m)
@3200K	fc	546	54	29
	lux	5876	578	314
@5600K	fc	564	55	30
	lux	6071	597	324
Beam Diameter		Ø 2.2' (~0.7m)	Ø 7.4' (~2.3m)	Ø 11.4' (~3.5m)

Beam Angle : 45°



MODE DESCRIPTION

Mode Description	Available Modes
- CLR	All Modes (8 bit and 16 bit)
- EZ	All EZ Modes (8 bit) (EZ CCT / EZ HSI / EZ RGBW / EZ RGB / EZ ICTHS / EZ ICT RGBW / EZ 3200K / EZ 5600K)
- RGB	EZ RGB (8 bit)
- CCT	EZ CCT (8 bit)
- 3200	EZ 3200K (8 bit)
- 5600	EZ 5600K (8 bit)

See Downloads portion of webpage for full DMX profiles

COMPATIBLE ACCESSORIES

(specify finish by adding -BK or -WH)



15' Safety Cable
FLXSAFETYCABLE



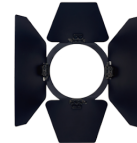
2" Diameter Clamp
FLXCLAMP



Studio Remote Patcher Utility
CXRPDU



P3F Fresnel Lens 15-45deg
FLXP3F-FRNL1545



P3F Barndoor 4 Leaf
FLXP3F-BD4



DMX 6 Channel Controller
FLXCNTL-DMX6

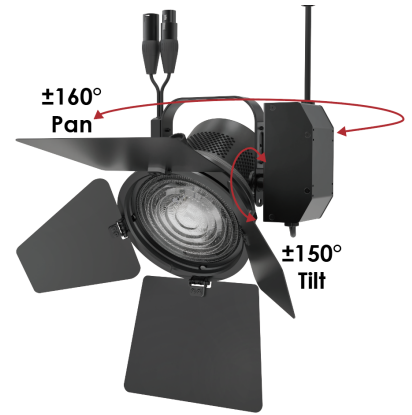


0-10V to DMX Converter
KSUSCB1



DALI to DMX Converter
KSUSCB2

TILT/ROTATION



* Tilt/rotation applies to all options.