

# P3W Wash Light (Clamp)

## 90W LED/ Wall Wash



### ORDERING GUIDE

**FLXP3W** -  -  - **CLP** - **PSV** -

#### Mode

**CLR** All Modes  
**EZ** All EZ Modes  
**RGB** RGB Mode Only  
**CCT** Tunable CCT Mode Only  
**3200** Fixed 3200K  
**5600** Fixed 5600K

#### Finish

**WH** White  
**BK** Black

#### Mount

**CLP** Clamp Mount

#### Power Supply

**PSV** Power Supply

#### Plug/Connection

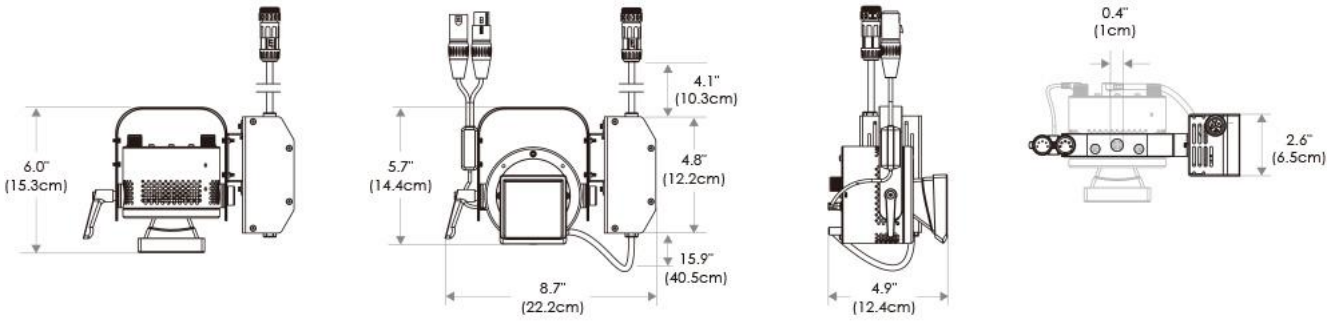
**US** US 120V  
**EU** EU 220V

### SPECIFICATIONS

CRI / TLCI	95/90 typical
Dimming	100% - 0% flicker free
AC Power Draw	90W max
AC Input	100 - 240V AC, 50 - 60Hz
Control	Manual, DMX512
Cooling	Fan Cooled
Acoustic Noise	19 dBA (Auto Mode)
Operating Temp.	32 - 104°F (0 - 40°C)
Weight (Fixture + Power Supply)	3.2lb / 1.6kg
Approved Regulatory Standards	cETLus, FCC, CE, UKCA, RoHS, WEEE

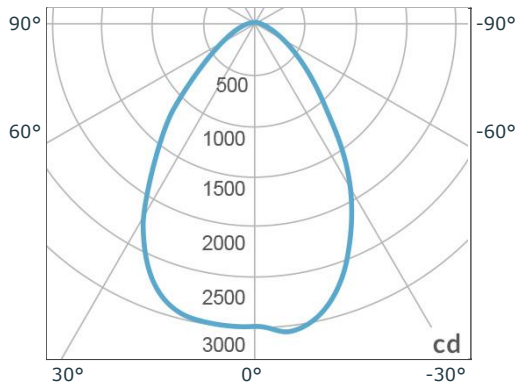
- Cine-Grade Light Quality
- Point-Source LED
- DMX Controllable
- 90W Power Draw
- Compact (< 8" of Vertical Space)

**MECHANICAL FIGURES**



\*PSV & PST configuration models come with standard DC cables of 16" and AC cables of 5'.

**PHOTOMETRIC DATA**



**TILT/ROTATION**



\* Tilt/rotation applies to all options.

**MODE DESCRIPTION**

Mode Description	Available Modes
- CLR	All Modes (8 bit and 16 bit)
- EZ	All EZ Modes (8 bit) ( EZ CCT / EZ HSI / EZ RGBW / EZ RGB / EZ ICTHS / EZ ICT RGBW / EZ 3200K / EZ 5600K)
- RGB	EZ RGB (8 bit)
- CCT	EZ CCT (8 bit)
- 3200	EZ 3200K (8 bit)
- 5600	EZ 5600K (8 bit)

See Downloads portion of webpage for full DMX profiles

## COMPATIBLE ACCESSORIES

(specify finish by adding -BK or -WH)



15" Safety Cable  
FLXSAFETYCABLE



2" Diameter Clamp  
FLXCLAMP



Studio Remote Patcher Utility  
CXRPJU



0-10V to DMX Converter  
KSUSCB1



DMX 6 Channel Controller  
FLXCNTL-DMX6



DALI to DMX Converter  
KSUSCB2