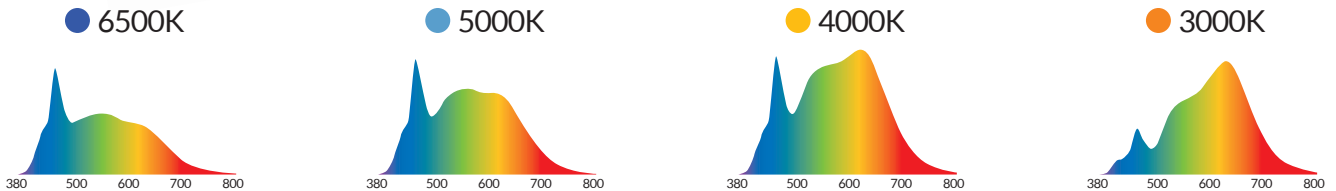


## FEATURES

- High CRI values at every color temperature
- Four Color Settings: 3000K, 4000K, 5000K, 6500K
- >100W tungsten output, 13W power draw
- Does not emit UV light/radiation
- Flicker free dimming with no color shifts
- Intuitive three-zone touch control
- Fan-free cooling for silent operation
- Weighs less than 3lbs
- Compatible with light modifiers
- Designed to illuminate color viewing stations

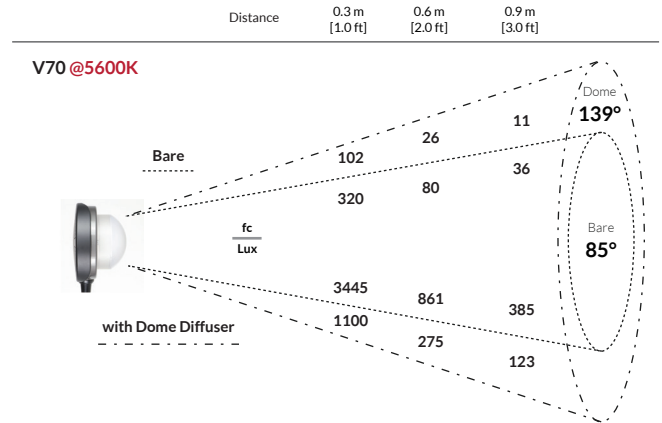
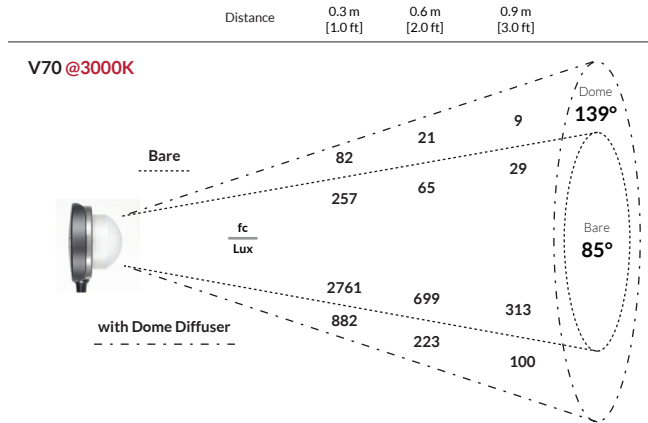


**MULTI-PHOSPHOR FULL SPECTRUM**  
with precise calibration ensures color accuracy at all settings



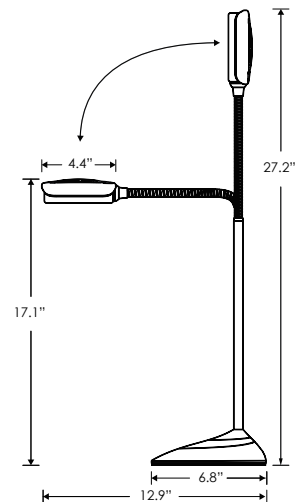
CCT	R1	R2	R3	R4	R5	R6	R7	R8	R9	R10	R11	R12	R13	R14	R15	CRI <sub>Ra</sub>	CRI <sub>Ext</sub>
3000K	97	97	94	96	95	95	97	92	74	86	93	79	95	95	93	95	92
4000K	97	99	98	93	94	96	95	92	76	91	91	76	96	98	94	95	92
5000K	96	98	98	90	93	95	93	90	73	92	89	73	96	99	92	94	91
6500K	95	98	97	89	92	95	92	89	70	93	88	76	95	99	91	93	91

## PHOTOMETRIC DATA



## SPECIFICATIONS

Beam Angle	85° (139° With Dome Diffuser)
CCT Settings	3000K / 4000K / 5000K / 6500K
CRI	90 Typical
Dimming	100% - 20% Flicker Free
Light Engine	Dense Matrix LED
Power Draw	13W Max (100W Tungsten Equivalent)
DC Input	24V DC
AC Input	100 - 240V AC, 50 ~ 60Hz
Weight	2.76 lbs / 1.25 kg
Size	W 6.8" x H 27.2"
Thermal Design	Fanless Cooling System
Operating Temperature	32° - 104° F / 0° - 40° C



## OPTIONAL ACCESSORIES



Dome Diffuser



Fresnel Lens



Gel Holder

Visit [www.fiilex.com](http://www.fiilex.com) for more info.

