

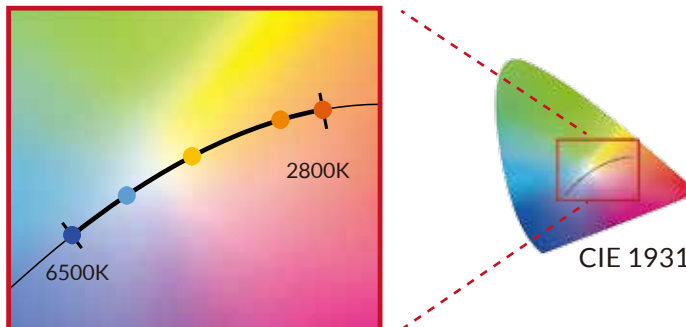
## FEATURES

- 2800-6500K continuous CCT tuning
- 300W tungsten output (90W draw)
- High CRI values at every color temperature
- Dims to 0% without flicker or color shift
- Precise color calibration for consistent quality
- OLED display for monitoring settings
- DMX controllable (2-channels: intensity, CCT)
- Water resistant (IP-24)
- Weighs less than 2 lbs
- Supports 12-30V battery input with D-Tap accessory
- Available in portable three-light kits
- Optional light modifiers available

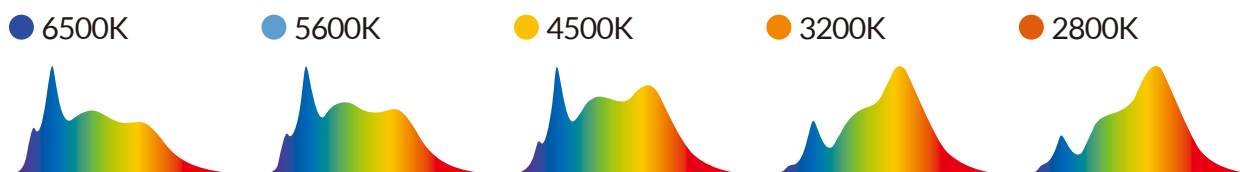


## COMPREHENSIVE COLOR CALIBRATION

ensures cinema-caliber precision and light quality at all settings



## MULTI-PHOSPHOR SPECTRUM for excellent color rendering

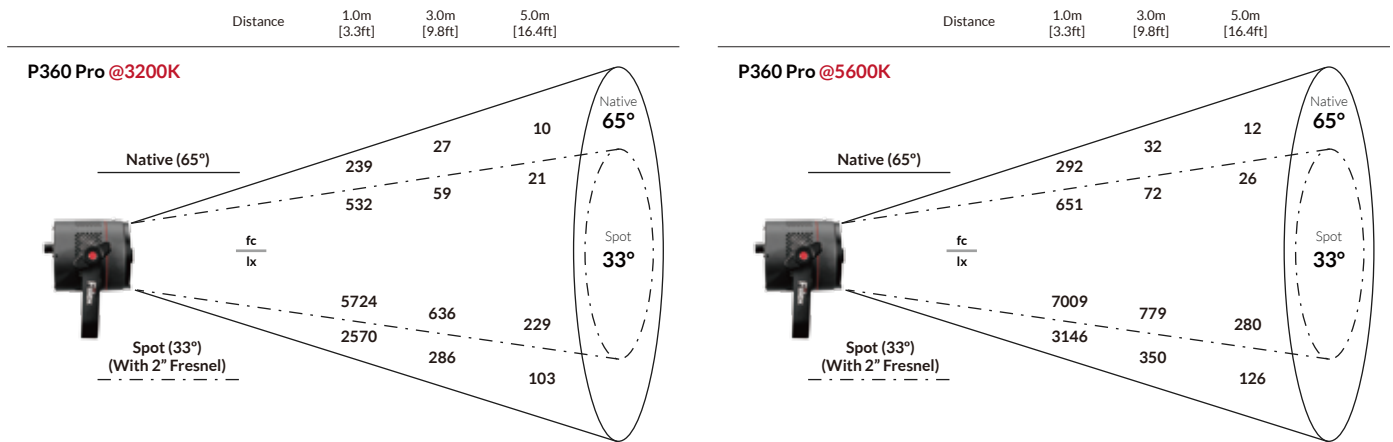


Industry-leading CRI scores on difficult color samples (R9, R12)

CCT	R1	R2	R3	R4	R5	R6	R7	R8	R9	R10	R11	R12	R13	R14	R15	CRI <sub>Ra</sub> *	CRI <sub>Ext</sub> *	TLCI
3200K	98	99	96	98	97	97	98	97	94	96	98	85	98	96	98	98	96	97
5600K	97	99	98	94	95	96	96	95	90	96	95	85	98	99	96	96	95	97
6500K	97	98	98	94	95	96	96	95	89	95	94	84	98	99	96	96	95	97

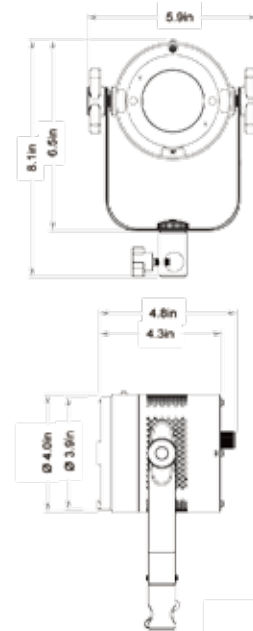
\*CRI<sub>Ra</sub> is the averaged result of R1 to R8; CRI<sub>Ext</sub> is the averaged value of R1 to R15. Typical values shown.

## PHOTOMETRIC DATA



## SPECIFICATIONS

Beam Angle	65° (33° With 2" Fresnel, 12° With 5" Fresnel)
CCT Range	2800 - 6500K Continuous Tuning
CRI	96 Typical
Dimming	100% - 0% Flicker Free
Light Engine	Dense Matrix LED
Power Draw	90W Max
DC Input	12 - 30V DC (80W DC Max)
AC Input	100 - 240V AC, 50 ~ 60Hz
DMX Control	2-CH (Intensity, CCT) via TRRS Ports
Display Type	OLED
Weight	1.9lbs / 0.8kg
Size (L x W x H)	5.9in x 4.7in x H 8.1in / 15.0cm x 11.9cm x 20.6cm
Mount	Baby Stud 5/8" Female (16mm)
IP Rating	IP-24 (Dust & Water Resistant)
Thermal Design	Advanced Vapor Cooling System (Fan Cooled)
Operating Temperature	32 - 104°F / 0 - 40° C



## OPTIONAL ACCESSORIES & KITS

