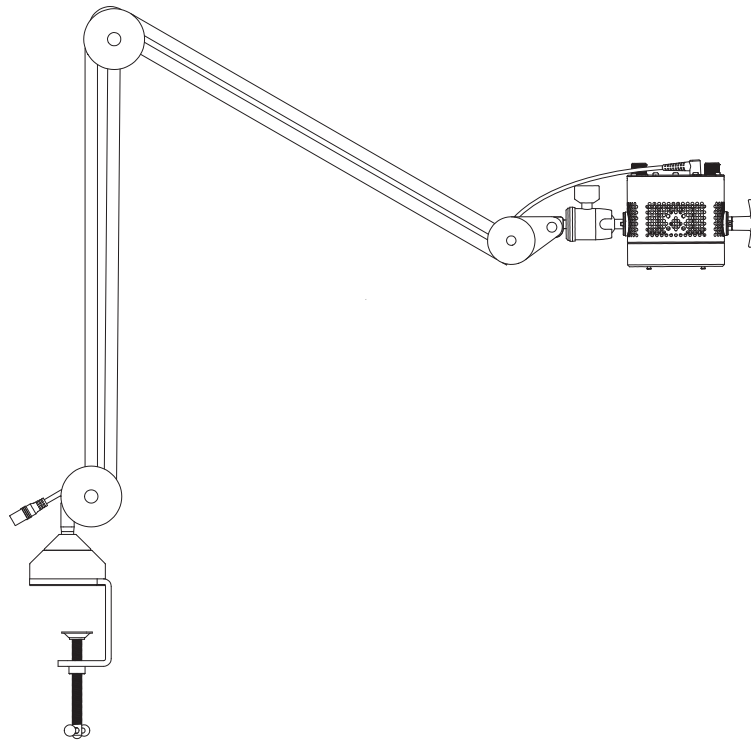


# Fiilex



## V360

FLXV360P

### User Manual

190103A2

## General Notes

- Please read the following operating instructions very carefully before using this fixture for the first time. They contain important information on the operation of Fiilex lighting equipment.
- For your own safety, please follow all safety instructions and warnings.
- Please also follow the operating instructions of the light and power adapter manufacturers.
- Keep these operating instructions for you and subsequent users for reference in the future.
- For further information, please ask your retailer or enquire at your local authorities. Only use Fiilex spare parts and accessories ([www.filllex.com](http://www.filllex.com)).

## Basic Operation (refer to Parts Diagram on following page)

### • Mounting

The Desk Mount (16) on the V360 can be mounted to a table horizontally or to a stable pole vertically. Secure the fixture to a supporting object by turning the Clamp Knob (15).

### • Powering On

The V360 comes with a power adapter. To supply a V360 with power, insert the Power Cable (14), then connect the DC plug into an active wall socket. The fixture's OLED Display (8) will turn on once it is receiving power. The On/Off Button (11) can toggle the fixture's output on and off. Settings can still be adjusted while the switch is set to off.

### • Adjusting the V360

The V360 can be turn in all directions. Use the Handle (3) to adjust the light head's position and tighten the Ball Joint (6) to secure the light head.

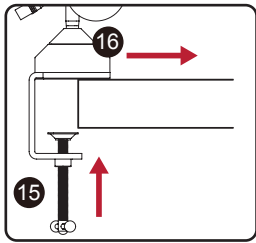
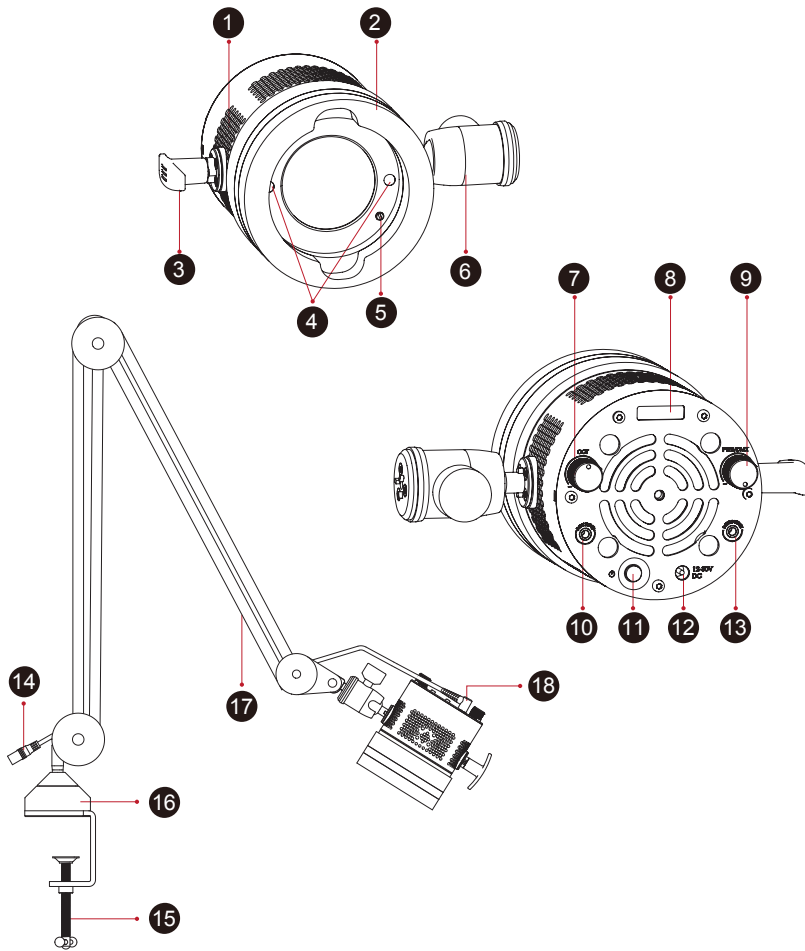
### • DMX Interface

Insert the phone jack (TRRS) connector into the DMX Input Jack (10). Double click the DMX Address Knob (9) to enter DMX address edit mode. Turn the knob to select address. To return to intensity adjustment mode, click knob (9) again or wait 3 seconds.

Mode	Screen Indicator	Description
Intensity	PWR	To adjust the brightness of the fixture, simply turn the Light Intensity Knob (9).
DMX	DMX	Control via DMX. Manual control knobs disabled. Mode activates automatically when DMX signal is detected.
Color Temperature	CCT	To adjust the color temperature of the fixture, simply turn the CCT knob (7).

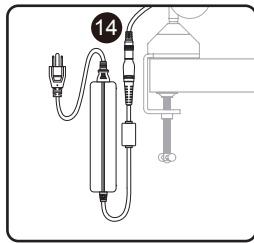
## Parts Diagram

1. Side Vents
2. EVA Bumper
3. Handle
4. Accessory Locking Magnet
5. Accessory Locking Pin
6. Ball Joint
7. CCT Tuning Knob
8. OLED Display
9. Light Intensity / DMX Address Knob
10. DMX Input Jack
11. On / Off Button
12. DC Power Input Jack
13. DMX Output Jack
14. Power Cable
15. Clamp Knob
16. Desk Mount
17. Adjustable Arm
18. DC Power Plug



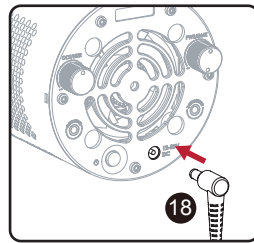
### Mounting

Slide Desk Mount (16) onto the edge of a desk. Turn Clamp Knob (15) clock-wise until it comes into contact with the desk and lock the light in place.



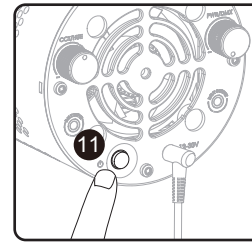
### Connecting to Power

Connect the attached Power Cable (14) to the included power adapter.



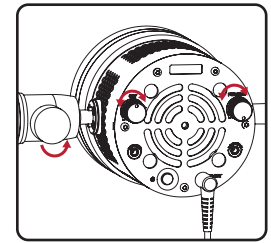
### Plugging In

Insert the DC connector into the DC power jack.



### Turning On

Press the On/Off button to turn on the light. The button will turn green to indicate that the light is on.



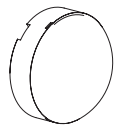
### Adjusting the Light

Turn the knobs to adjust CCT and intensity. Loosen the ball joint knob to adjust the fixture's tilt position..

## Compatible Accessories



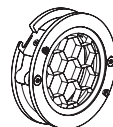
Fresnel Lens



Dome Diffuser



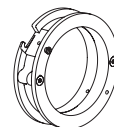
Honeycomb N



Honeycomb W



Louver



Snoot

## Rear Panel Interface Operation



Dial	Function	Range
CCT	Set color temperature	2800K - 6500K
PWR	Set intensity	100% - 0.1%
DMX	Set DMX address	1 - 510

### Assigning DMX Address:

#### DMX Address Setting Screen



1. Double click the DMX Address Knob (9) to unlock the DMX address setting screen on the OLED Display (8).
2. Rotate the knob to select desired base address (1-510).
3. Lock in setting by clicking knob once. Alternatively, the address will automatically lock in after 1 second of inactivity.
4. When a DMX address is selected, the fixture will automatically assign the next one/two addresses in the following order: (1) Intensity (2) CCT
  - To adjust the fixture's DMX address via RDM, consult operating instructions for DMX/RDM control systems.

## Specifications

CCT Range	2800 - 6500K Continuous Tuning
Light Engine	Dense Matrix LED
Power Draw	90W Max
DC Input	12 - 30V
AC Input	100 - 240V AC, 50 ~ 60Hz
Power Port	2.5mm DC Jack
DMX Ports	TRRS (In & Out)
Weight	7.5lbs / 3.4kg
Light Size (L x W x H)	5.5in x 4.0in x 4.7in / 14.0cm x 10.2cm x 12.0cm
Arm Size	Fully Extended: 36.2in / 91.9cm Base: W 3.2in x H 7.6in / W 8.1cm x H 19.3cm
Mount Style	Table Mount (0 - 2.8in Gap) Base Adapter (Fits Baby Stud 5/8" & Junior 1-1/8" Studs)
Thermal Design	Advanced Vapor Cooling System (Fan Cooled)
Operating Temperature	32 - 104°F / 0 - 40°C
IP Rating	IP-24
LED Lifetime	42,000 hours
Certifications	CE, UL, FCC

## Safety

- Do NOT attempt to disassemble the body of the V360, doing so will immediately void the factory warranty.
- Do NOT install the V360 in a damp or wet area.
- Do NOT submerge V360 in water.
- Do NOT cover the side or back air vents.
- Only use the included power adapter, failure to do so may cause damage to the LED light.
- Only use a soft, dry towel to gently clean the exterior of the light.
- Before using the light for the first time, remove the protective membranes.

## Warranty

Unless otherwise stated, your product is covered by a **one year parts and labor limited warranty**. Fiilex guarantees, to the original buyer, that this product is to be free of defects in both workmanship and material for a period of one year from the date of shipment. This warranty extends to all products which have proved defective through normal use but excludes products that have been disassembled, modified or misused by the buyer or any other person. This warranty is in lieu of all other warranties, and disclaims all warranties expressed or implied, including any warranty of merchantability, fitness for a particular purpose, or arising from the course of dealing between the parties or usage of trade.

### Returning an Item Under Warranty for Repair

It is necessary to obtain a Return Authorization Number (RA#) from your dealer/point of purchase BEFORE any units are returned for repair. Fiilex will make the final determination as to whether or not the unit is covered by warranty. Fiilex will replace or repair to proper working condition any products that are returned under warranty. Products repaired or replaced under warranty are under warranty only for the remaining unexpired period of time of the original warranty.

Any Product unit or part returned to Fiilex must be packaged in a suitable manner to ensure the protection of such Product unit or parts. The package must be clearly and prominently marked to indicate that the package contains returned product units or parts with a Return Authorization (RA#) number. All returned product units or parts must be accompanied by a written explanation of the alleged problem or malfunction.



[www.fiilex.com](http://www.fiilex.com)

1689 Regatta Blvd. Richmond, CA 94804  
| (510) 620-5155 | [fiilex@fiilex.com](mailto:fiilex@fiilex.com)