

C360 Series

LED Track Light

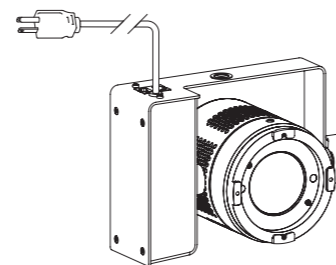
User Manual

Table of Contents

What's in the Box	1
Light Components	2
Setup and Basic Operation	4
Optional Accessories	6
For Your Safety	8
Specifications	9

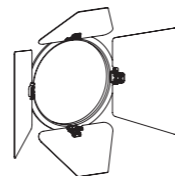
What's in the Box

- C360-3200 / -5600 / -Pro Plus



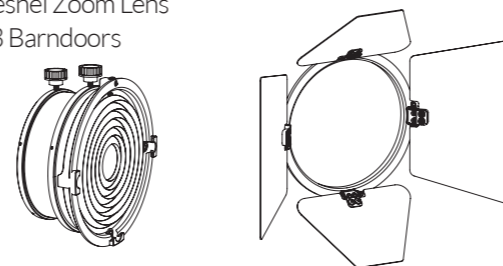
Standard Package Includes

- Size 2 Barndoors



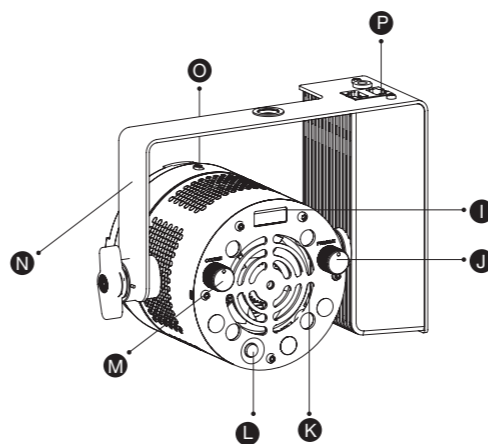
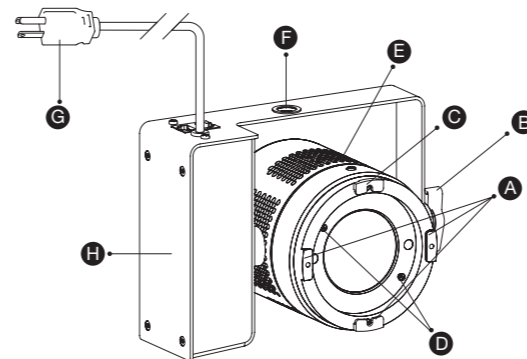
Zoom Fresnel Package Includes

- 5" Fresnel Zoom Lens
- Size 3 Barndoors



1

Light Components



- A Barndoor Brackets
- B Yoke Knob
- C Barndoor Lock
- D Magnetic Accessory Lock
- E Side Vents
- F Size M12 Screw Receiver
- G Power Cord
- H Power Module Box
- I OLED Display
- J Light Intensity / DMX Address Knob
- K Rear Vents
- L On / Off Button
- M CCT / Hue Tuning Knob (C360 Pro Plus Only)
- N Yoke
- O Barndoor Lock Release
- P RJ45 In / Out

2

3

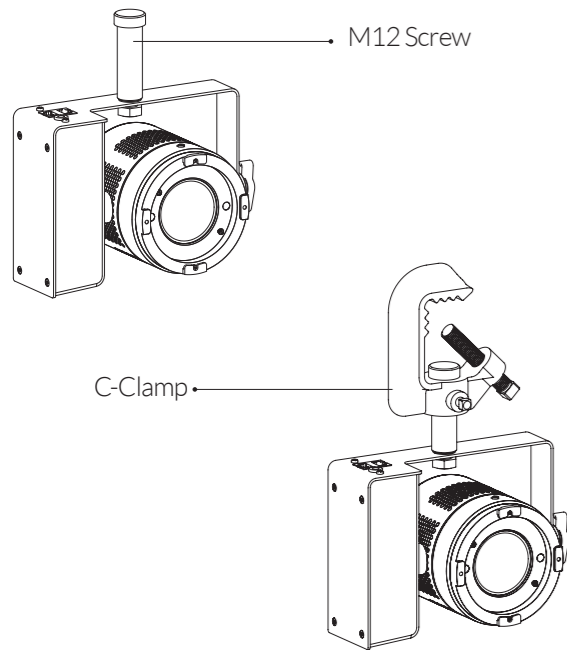


3

Setup and Basic Operation

Mounting Options*

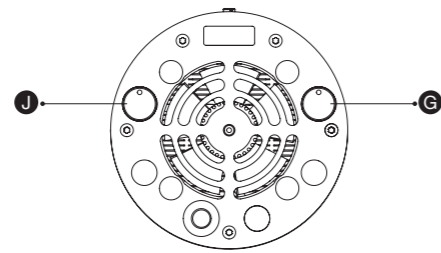
Use the size M12 screw receiver on the C360 yoke to attach the fixture to the desired hanging / mounting hardware.



Operation Mode Status Indicator

Power Button (I) Color	Operation Mode
Red	Off - Local Control
Green	On - Local Control
Yellow	DMX Control (auto detect)

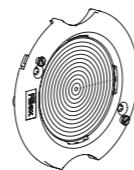
Local Controls



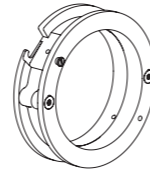
Settings	Control Knobs	
	Left (J)	Right(G)
CCT	Default	
Hue	Double-Click Knob	
Intensity		Default
DMX Address		Double-Click Knob

Optional Accessories

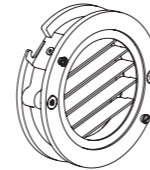
Fresnel Lens



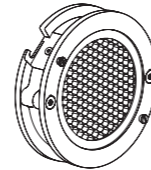
Snoot



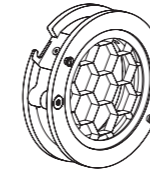
Louwer



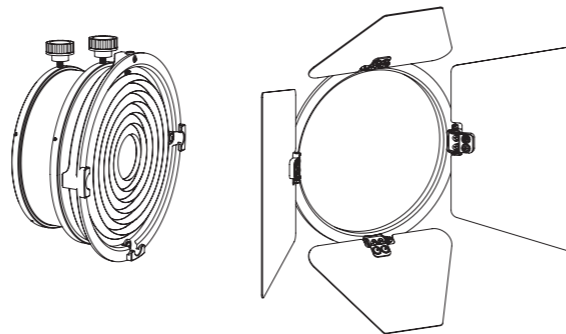
Honeycomb N



Honeycomb W



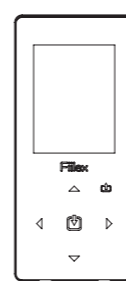
5" Fresnel Zoom Lens with Barndoors



Dome Diffuser



DMX Controller



For Your Safety

- Do not install the C360 in a damp or wet area.
- Do not attempt to disassemble the body of the C360, doing so will immediately void the factory warranty.
- Do not submerge C360 in water.
- Do not cover the side or back air vents.
- Only use a soft, dry towel to gently clean the exterior of the light.
- Make sure to adhere to local building codes when designing and installing C360 light systems.
- Do not install any luminaire assembly closer than 6 inches from any curtain, or similar combustible material.

SAVE THESE INSTRUCTIONS!

Specifications

Size (without Barndoor and power cord)
W8.2 x H5.7 x T4.1inch/ W209 x H145 x T105mm

Weight (Includes Yoke)
3.1 lb / 1.39 kg

LED
Dense Matrix LED

Thermal Design
Active Cooling (With Fan)

Power Consumption
AC 85W max

Input Voltage
120VAC/60Hz

Operating Temperature
0° to 40°C / 32° to 104° F

Fiilex

Fiilex.com

1689 Regatta Blvd. Richmond, CA 94804

(510)620-5155 . Fiilex@Fiilex.com

Information and Specifications in this document are subject to change without notice. DiCon Lighting, Inc. assumes no responsibility or liability for any error or inaccuracies that may appear in this manual. Unlawful reproduction or distribution in any manner without the written permission of DiCon Lighting, is strictly prohibited.

© DiCon Lighting 1996-2017 All Rights Reserved

*Mounting hardware not included with fixture.

For additional accessories go to www.fiilex.com